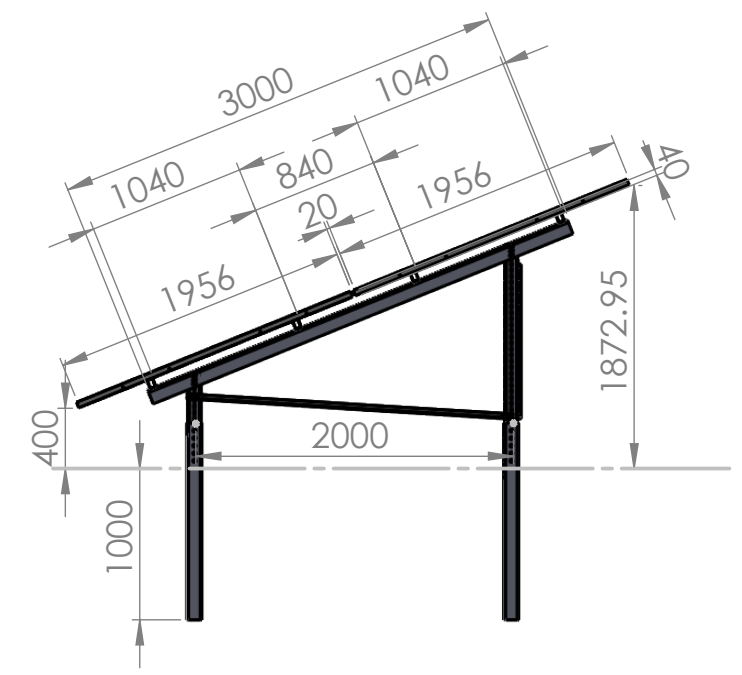
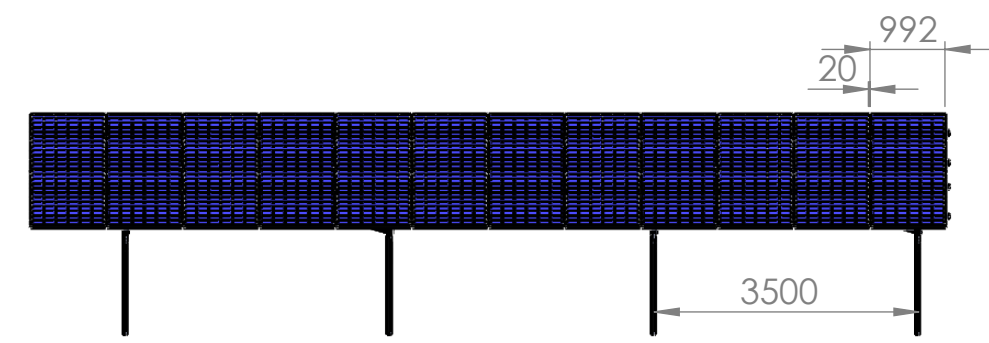


6 5 4 3 2 1

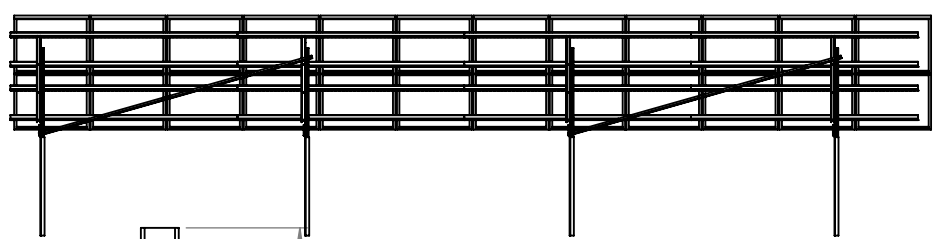
D

D



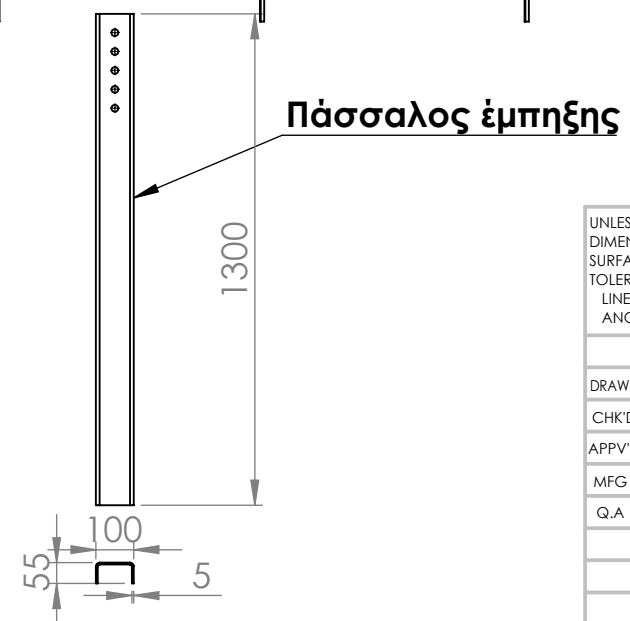
C

C



B

B



UNLESS OTHERWISE SPECIFIED: DIMENSIONS ARE IN MILLIMETERS SURFACE FINISH: TOLERANCES: LINEAR: ANGULAR:			FINISH: Hot deep Galvanized		DEBURR AND BREAK SHARP EDGES		DO NOT SCALE DRAWING		REVISION		
							Eurometal S.A.				
							Διπάσσαλο για 2 μέτρα πάνελ				
DRAWN			NAME		SIGNATURE		DATE		TITLE:		
			Θανάσης Μανώλης				19/319				
CHK'D											
APPV'D											
MFG											
Q.A									MATERIAL:		DWG NO.
									Galvanized steel		A4
									WEIGHT:		SCALE:1:100
											SHEET 1 OF 1

A

A

6 5 4 3 2 1