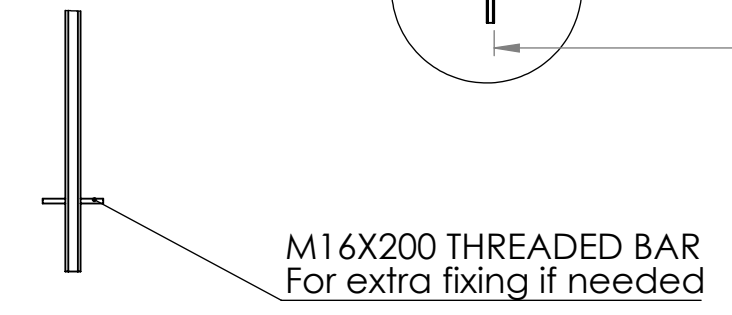
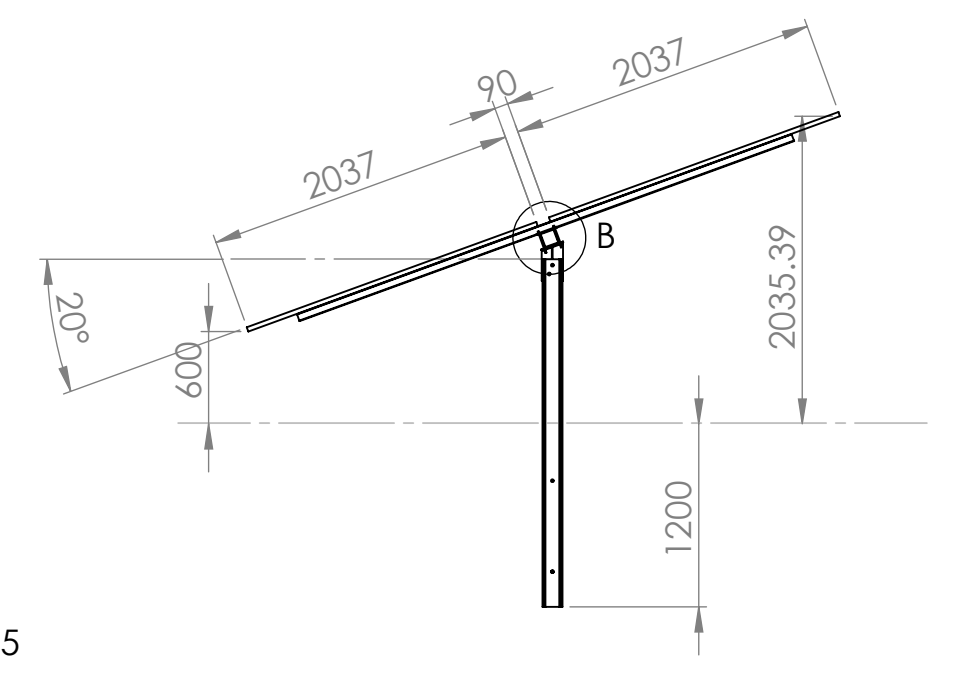
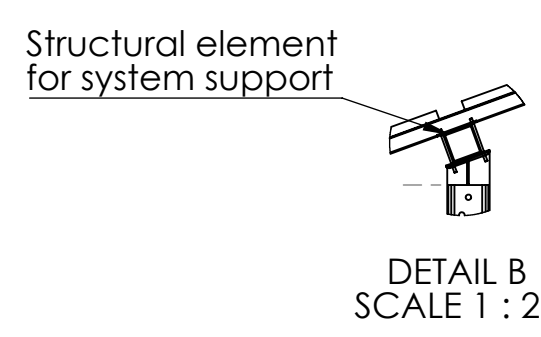
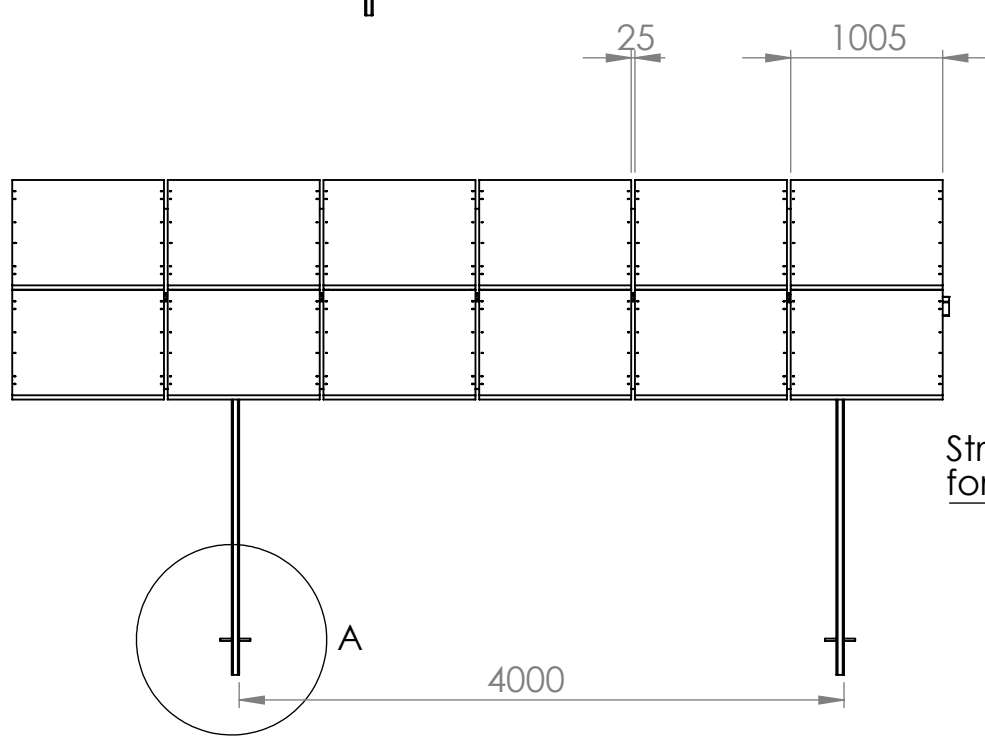
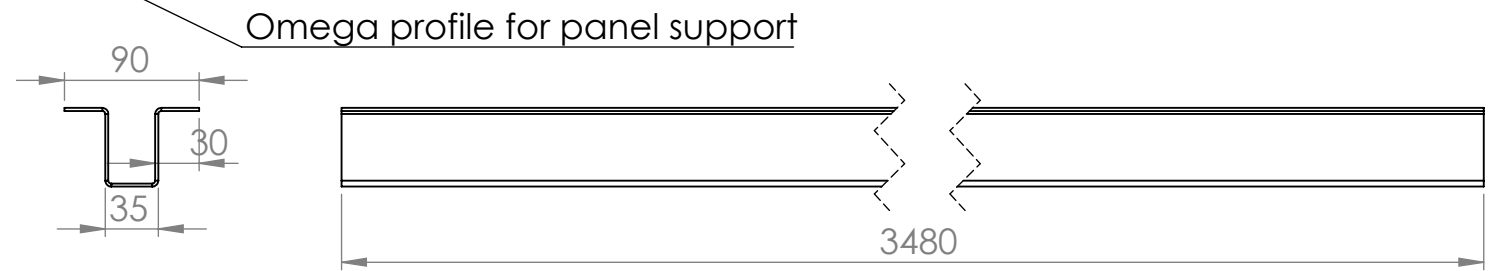
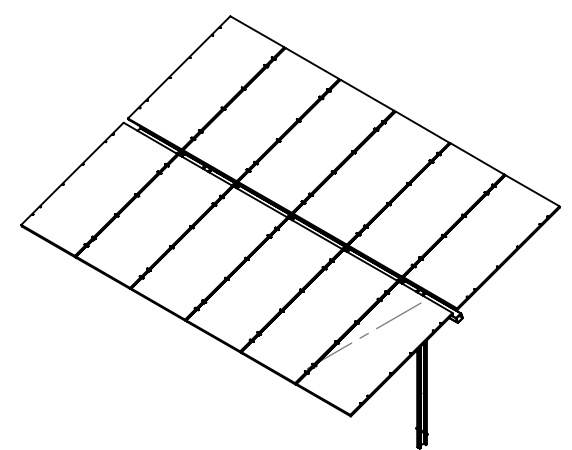
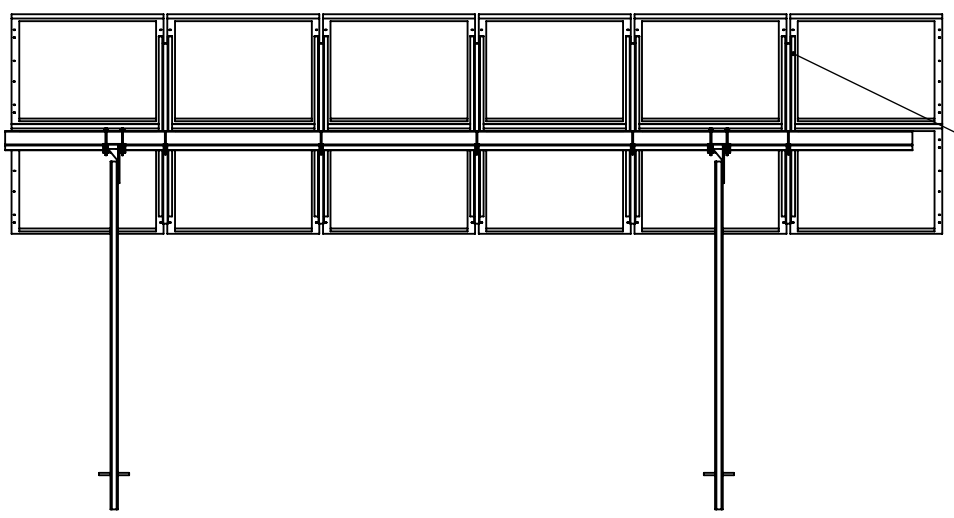



8 7 6 5 4 3 2 1

F
E
D
C
B
A

F
E
D
C
B
A



UNLESS OTHERWISE SPECIFIED: DIMENSIONS ARE IN MILLIMETERS SURFACE FINISH: TOLERANCES: LINEAR: ANGULAR:			FINISH:		DEBURR AND BREAK SHARP EDGES		DO NOT SCALE DRAWING		REVISION		
DRAWN Thanassis Manolis			SIGNATURE		DATE 2/11/19		TITLE:				
CHK'D											
APPV'D											
MFG											
Q.A											
					MATERIAL:		DWG NO.		A3		
					WEIGHT:		BiFacial Fixed tracker		SCALE:1:200		
							SHEET 1 OF 1				

8 7 6 5 4 3 2 1